

2 in 2 out Hybrid Coupler

Item No.	HC698-3800 Coupler 2-2
Frequency Range(MHz)	698-3800MHz
Insertion Loss(dB)	≤ 3.6
Isolation(dB)	≥ 23
VSWR	≤ 1.3
3rd PIM(dBc, @2*43dBm)	-155dBc/-160dBc/-163dBc
Average Power(W)	300W /500W
Impedance(Ω)	50
RF Connector:	N-F/4.3-10 F/DIN-F

Environmental Specifications

Operating Temperature(°C)	-35° C to +75° C
Relative humidity	≤95%
Applications	Indoor/Outdoor
Waterproof Grade	IP65

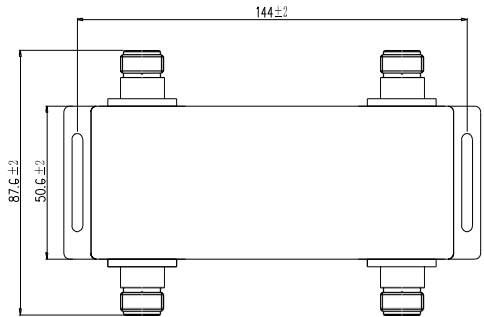
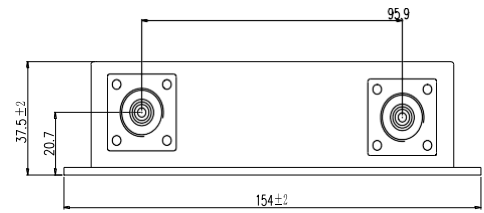
Dimensions

RF Connector:	N-F	4.3-10F	DIN-F
Weight(g)	≤500		
colour	Black 、 Gray		

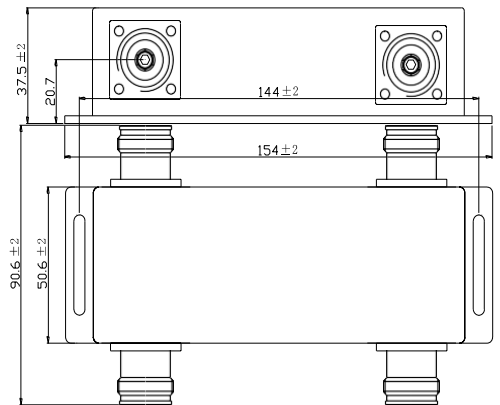
3D model



N-F



4.3-10-F



DIN-F

